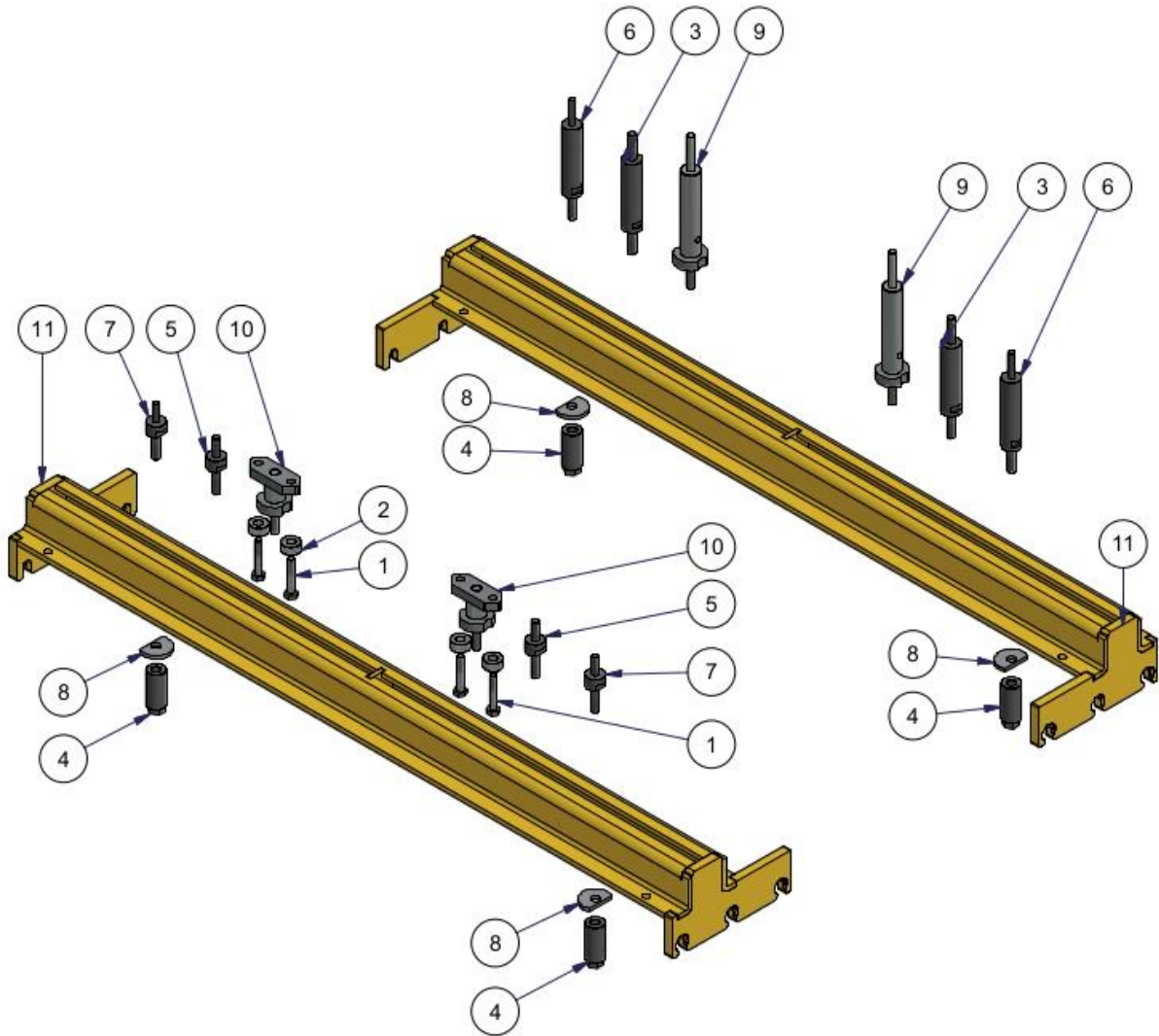




KIT NISSAN RENAULT

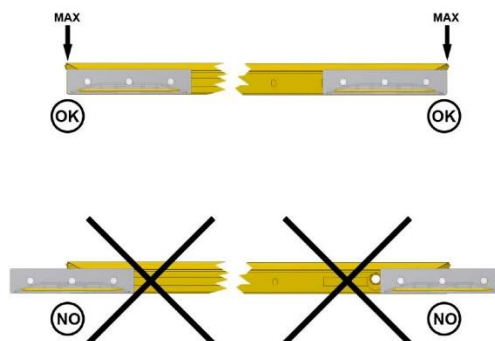
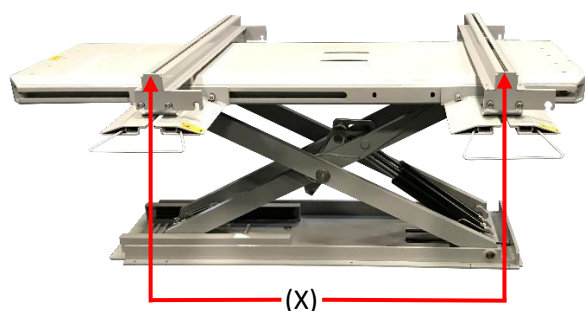


90KTRAV010

Lista modelli/Model List

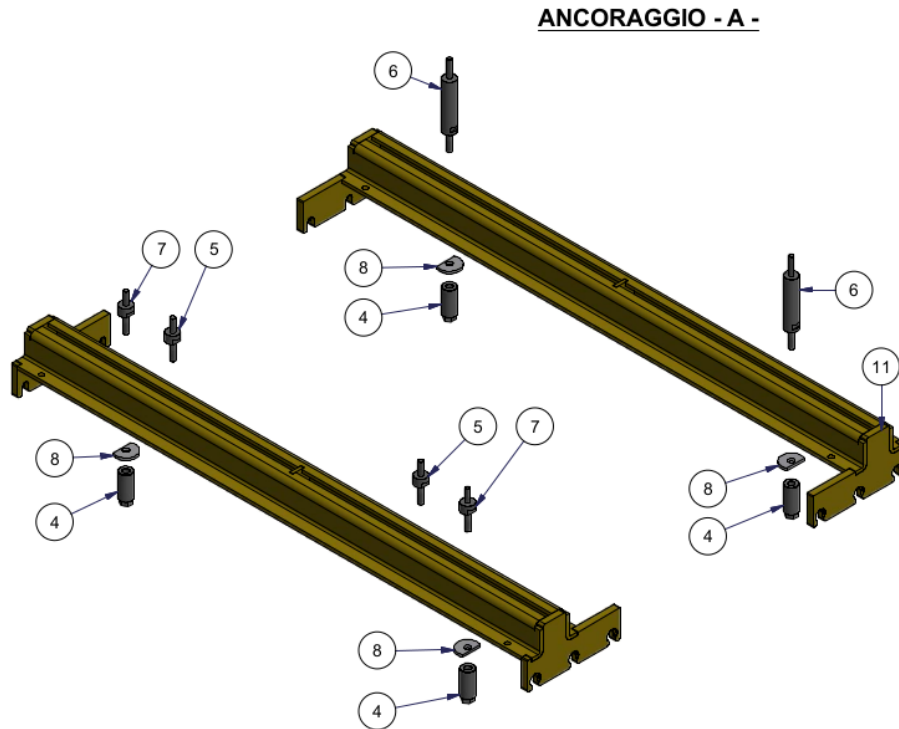
Marca	Modello	Anno di produzione	Interasse traverse (X)	Kit ancoraggio	Schema ancoraggio
<i>Brand</i>	<i>Model</i>	<i>Production Year</i>	<i>Crossbar distance (X)</i>	<i>Anchoring kit</i>	<i>Anchoring drawing</i>
NISSAN	Micra (K12)	2003	1507	A	2
NISSAN	Tida hatchback	2006	1676	A	2
NISSAN	Tida sedan	2006	1676	A	2
RENAULT	Captur	2013	1590	A	2
RENAULT	Clio	2005	1650	A	2
RENAULT	Clio	2012	1590	A	3
RENAULT	Clio station wagon	2007	1650	A	2
RENAULT	Clio station wagon	2013	1590	A	3
RENAULT	Coupè	2008	1555	B	4
RENAULT	Espace	2015	1786	D	4
RENAULT	Fluence	2009	1615	B	4
RENAULT	Grand Modus	2005	1651	A	3
RENAULT	Grand Scenic	2004	1666	A	1
RENAULT	Megane	2002	1556	A	1
RENAULT	Megane CC	2003	1460	A	1
RENAULT	Megane	2008	1555	B	4
RENAULT	Megane	2016	1584	C	4
RENAULT	Megane sedan	2003	1616	A	1
RENAULT	Megane station	2003	1616	A	1
RENAULT	Megane station	2009	1615	B	4
RENAULT	Modus	2004	1556	A	2
RENAULT	Scenic	2003	1616	A	1
RENAULT	Scenic	2009	1685	B	4
RENAULT	Scenic	2016	1626	C	4
RENAULT	Scenic X-mode	2009	1615	B	4
RENAULT	Talisman	2015	1715	D	4

Interasse traverse (X)
Crossbar distance (X)



Kit ancoraggio A

A Anchoring kit

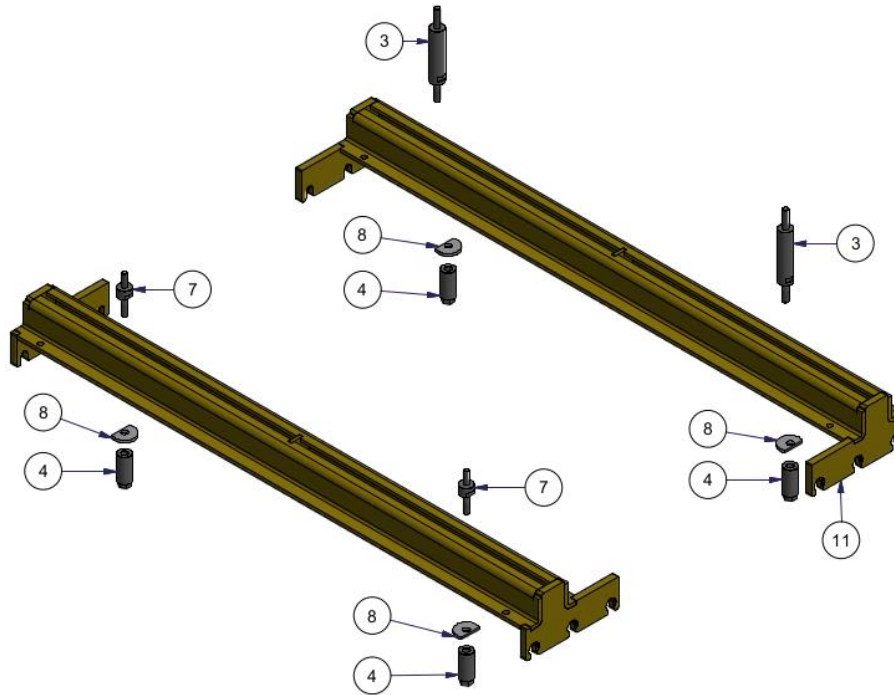


Pos.	Quant.	Codice/Code	Descrizione/Description
4	4	50134010	BUSSOLA FILETTATA M12X1.5 H=72 THREAD BUSHING M12X1.5 H=72
5	2	50134011	PERNO D.30 FILETT. M12x1.5 -M12x1.75 L=97 D.30mm THREAD PIVOT M12X1.5 – M12X1.75 L=97
6	2	50134012	PERNO D.30 FILET. M12x1.5 - M10 L=209 D.30mm THREAD PIVOT M12X1.5 – M10 L=209
7	2	50134013	PERNO D.30 FILETT. M12x1.5 - M10 L=97 D.30mm THREAD PIVOT M12X1.5 – M10 L=97
8	2	65110170	RONDELLA SPECIALE De.50 Di.14,5 sp.6mm 14,5X50 WASHER H=6mm
11	2	70207000	COMP. TRAVERSA BLOCC. AUTO VERN.RAL7001(exGI) VEHICLE ANCHORAGE CROSSBAR RAL 7001

Kit ancoraggio B-C

B-C Anchoring kit

ANCORAGGIO B-C

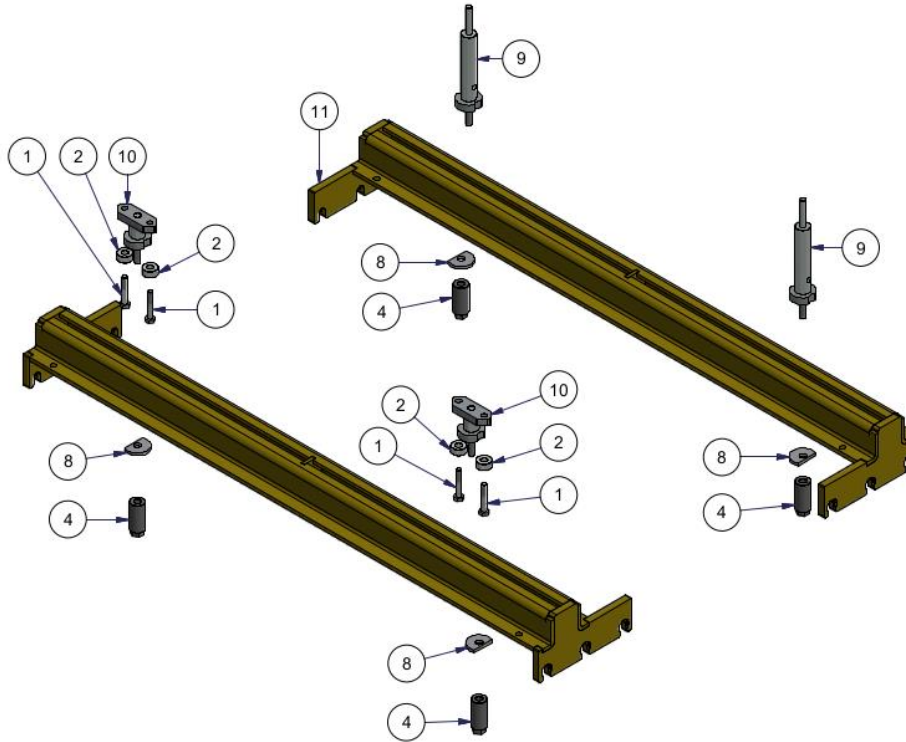


Pos.	Quant.	Codice/Code	Descrizione/Description
3	2	50134005	PERNO D.30 FILET. M12x1.5 - M12X1.5 L=209 <i>D.30mm THREAD PIVOT M12X1.5 – M12X1.5 L=209</i>
4	4	50134010	BUSSOLA FILETTATA M12X1.5 H=72 <i>THREAD BUSHING M12X1.5 H=72</i>
7	4	50134013	PERNO D.30 FILETT. M12x1.5 - M10 L=97 <i>D.30mm THREAD PIVOT M12X1.5 – M10 L=97</i>
8	4	65110170	RONDELLA SPECIALE De.50 Di.14,5 sp.6mm <i>14,5X50 WASHER H=6mm</i>
11	2	70207000	COMP. TRAVERSA BLOCC. AUTO VERN.RAL7001(exGI) <i>VEHICLE ANCHORAGE CROSSBAR RAL 7001</i>

Kit ancoraggio D

D Anchoring kit

ANCORAGGIO - D -

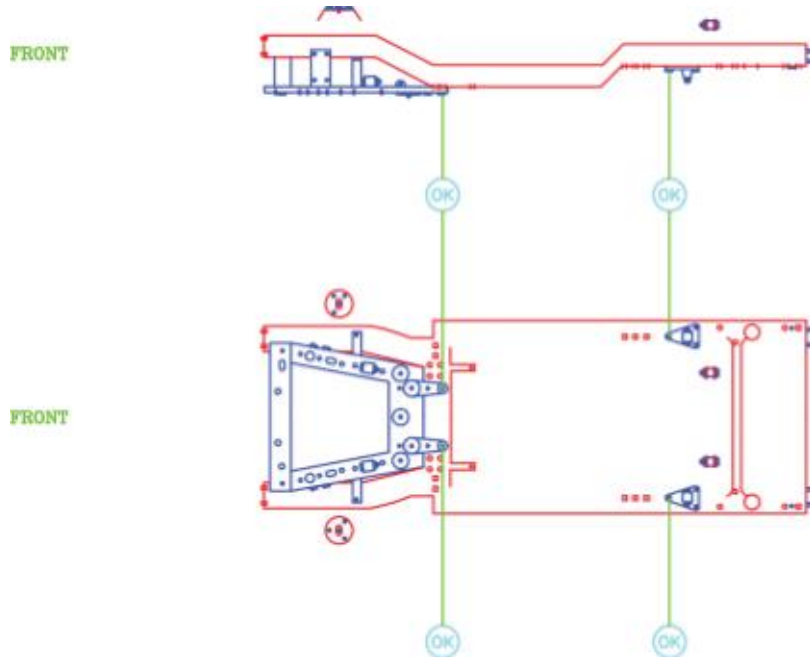


Pos.	Quant.	Codice/Code	Descrizione/Description
1	4	10030107	VITE TE M10x 60 UNI5737 <i>M10X60 UNI 5737 SCREW</i>
2	4	50105790	BUSSOLA De.30 Di.13 H 14 <i>BUSHING EXT. Ø 30mm INT. Ø 13mm H= 14mm</i>
4	4	50134010	BUSSOLA FILETTATA M12X1.5 H= 72 <i>THREAD BUSHING M12X1.5 H= 72</i>
8	4	65110170	RONDELLA SPECIALE De.50 Di.14,5 sp.6mm <i>14,5X50 WASHER H=6mm</i>
9	2	65235750	COMP. SUPP. FISSAGGIO POST. RENAULT ESPACE 2015 <i>RENAULT ESPACE 2015 REAR ANCHORING KIT</i>
10	2	65235760	COMP. SUPP. FISSAGGIO ANT. RENAULT ESPACE 2015 ZN BIANCA <i>RENAULT ESPACE 2015 FRONT ANCHORING KIT</i>
11	2	70207000	COMP. TRAVERSA BLOCC. AUTO VERN.RAL7001(exGI) <i>VEHICLE ANCHORAGE CROSSBAR RAL 7001</i>



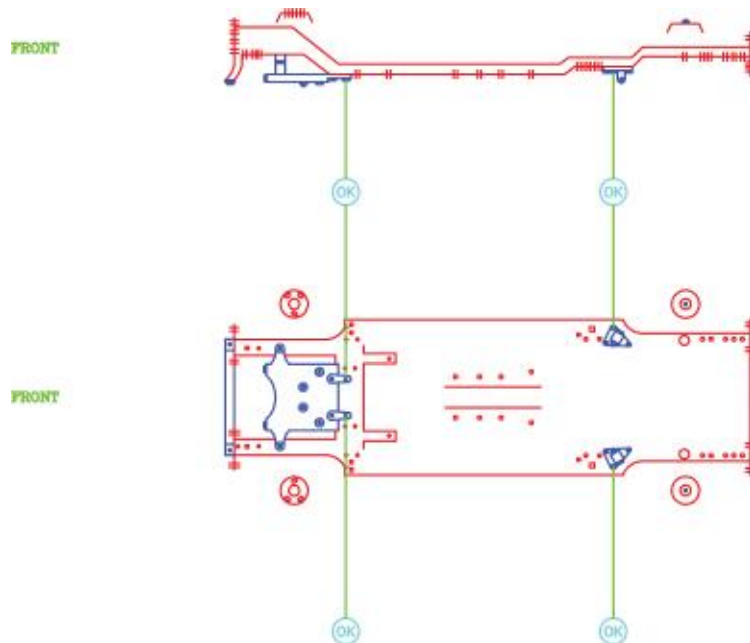
Schema ancoraggio n.1

No. 1 anchoring drawings



Schema ancoraggio n.2

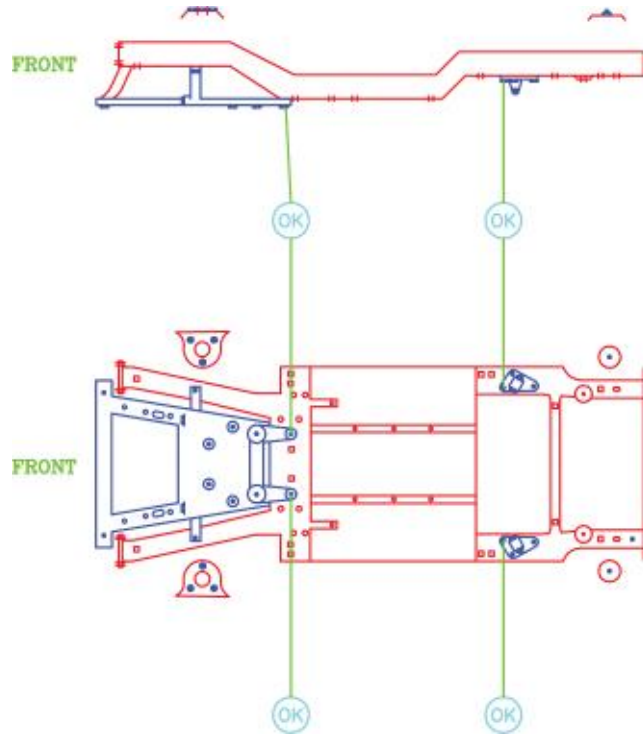
No. 2 anchoring drawings





Schema ancoraggio n.3

No. 3 anchoring drawings



Schema ancoraggio n.4

No. 4 anchoring drawings

